

Hilton Exterior



NOTE

All dimensions provided in these design drawings are intended as a guide only, and must be verified on-site by the contractor and/or sub-contractors prior to construction and installation.

The designer assumes no responsibility for any errors or omissions in the drawings.

SHEET NUMBER	SHEET NAME
Sheet 001	Cover Page
Sheet 002	CONCEPTUAL ROOF PLAN & ELEVATION
Sheet 003	FRONT OF PORCH
Sheet 004	SIDE OF PORCH
Sheet 005	3D RENDERING



Katie Smith

T: 831-359-5490

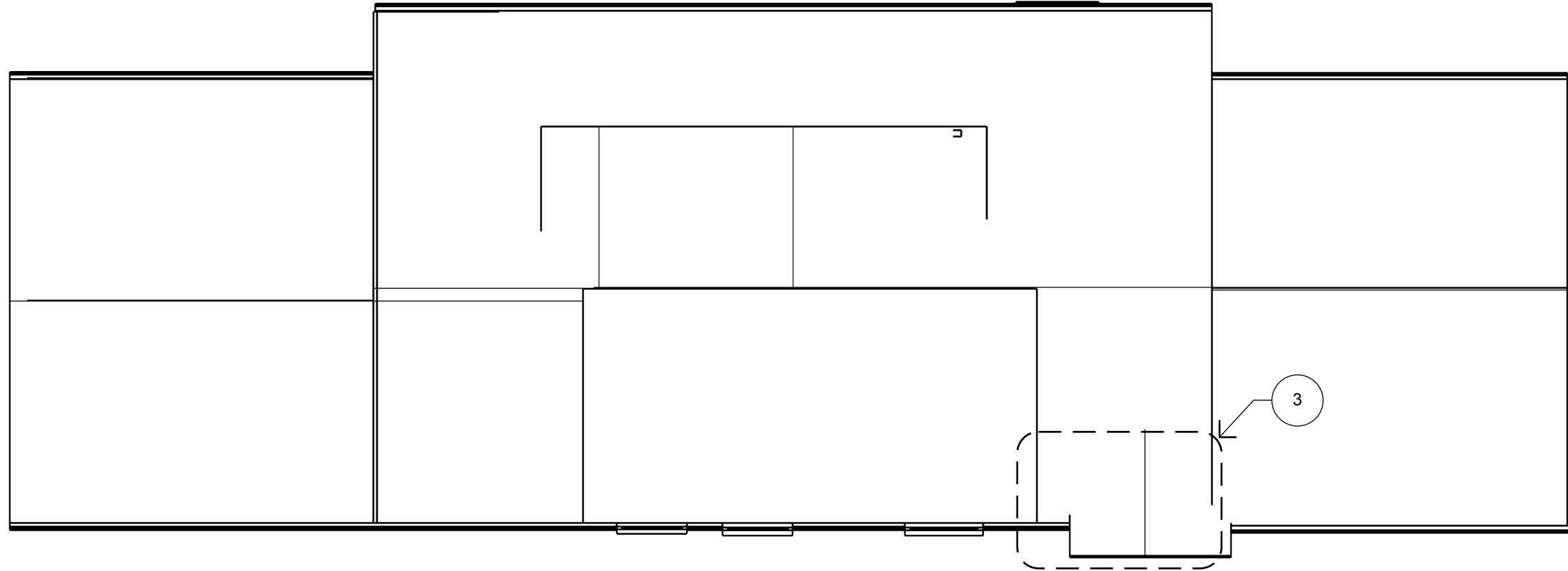
E: Katie@ksmithinteriors.design

W: KSMITHINTERIORS.DESIGN

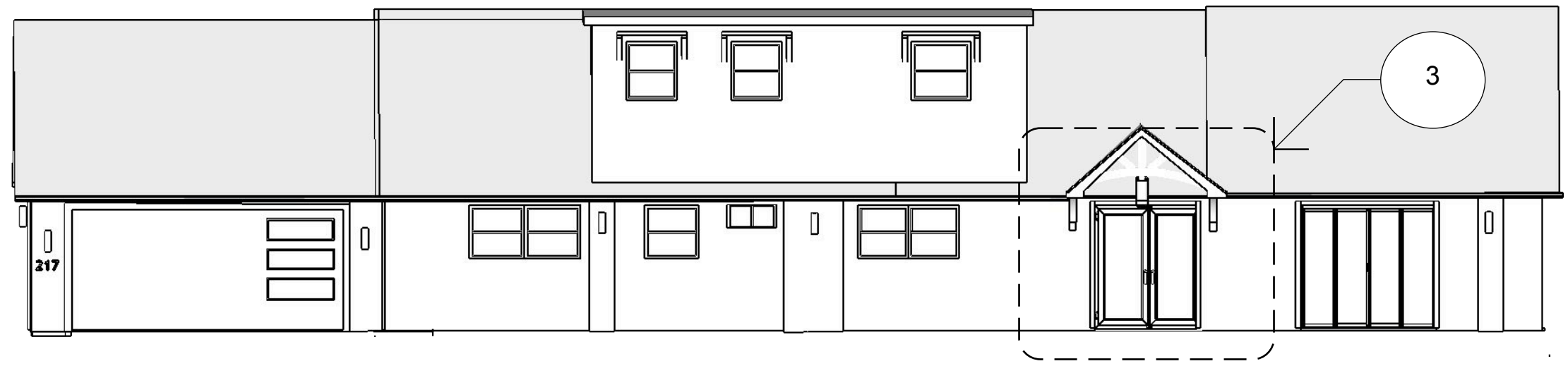
HILTON PORCH ::

September 16, 2024 ::

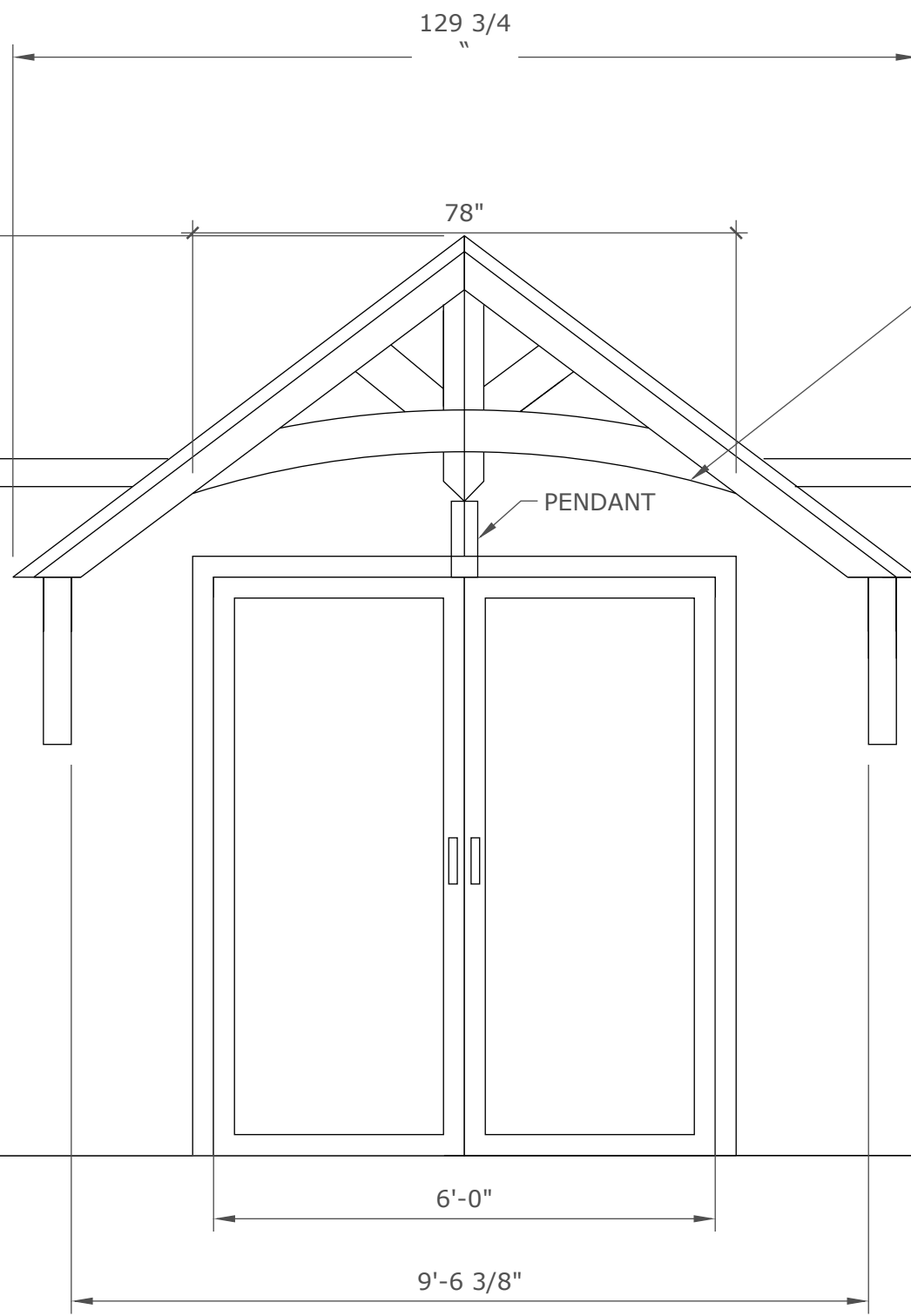
SCOTTS VALLEY::



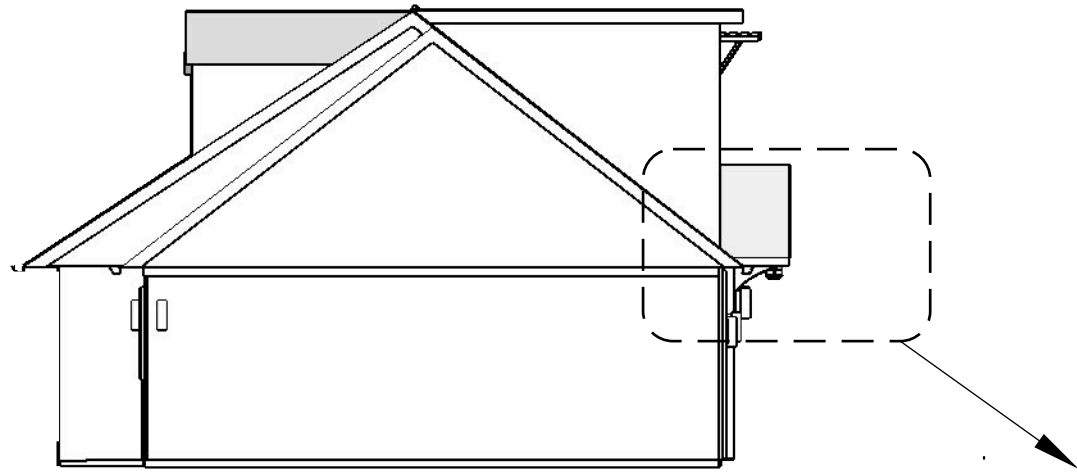
● ROOF PLAN
Scale: 1/8" = 1' 0"



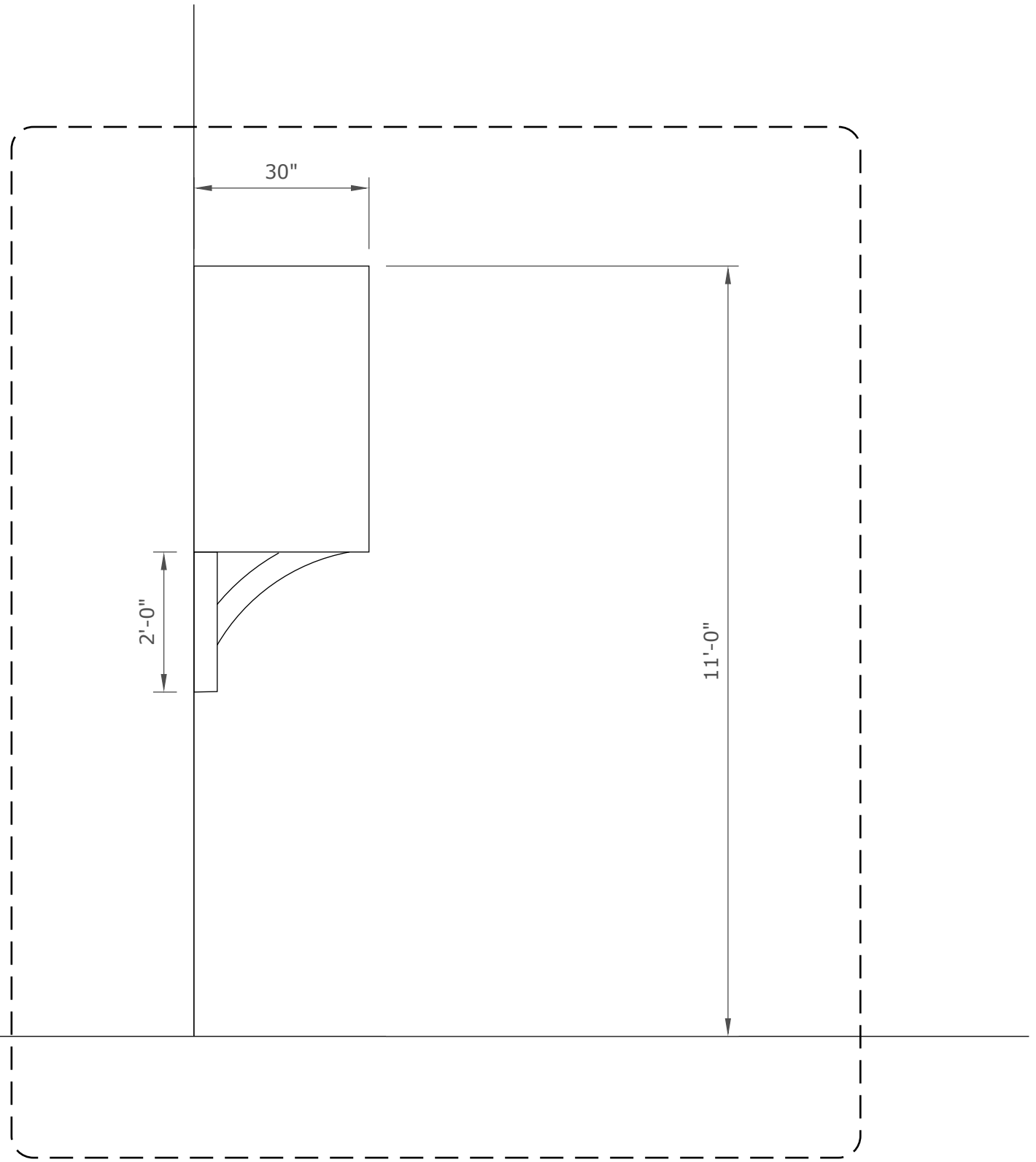
● FRONT ELEVATION
Scale: 1/8" = 1' 0"



3 Front Of Porch
Scale: 1/2" = 1' 0"



Scale: 1/8" = 1' 0"



④ SIDE Of Porch
Scale: 1/2" = 1' 0"



● 3D RENDERINGS
No Scale
